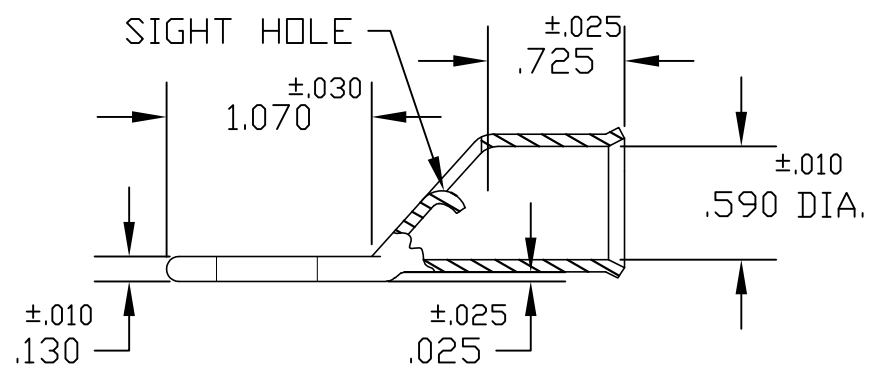
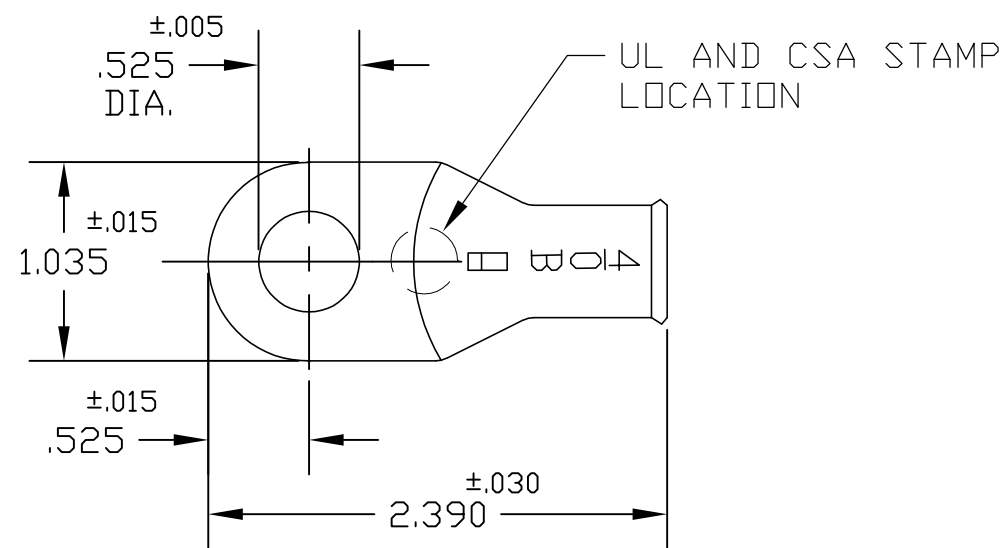


THIS DRAWING IS UNPUBLISHED. RELEASED FOR PUBLICATION

© COPYRIGHT BY TYCO ELECTRONICS CORPORATION. ALL RIGHTS RESERVED.

LOC	DIST	REVISIONS					
G	50	P	LTR	DESCRIPTION	DATE	DWN	APVD
		C		REV PER ECR 07-014512	21JUN07	JR	DD



ACTIVE	40502-03	STANDARD	TIN PLATE	1526874-2
ACTIVE	40502-02	STANDARD	PLAIN	1526874-1
STATUS	AET P/N	PACKAGING	FINISH	PART NUMBER

THIS DRAWING IS A CONTROLLED DOCUMENT.		DWN D.A.A 11/3/00	Tyco Electronics Corporation Harrisburg, PA 17105-3608				
DIMENSIONS: INCHES		CHK H.D.F 11/3/00					
		APVD H.D.F 11/3/00	NAME 4/0B STANDARD TERMINAL W/SIGHT HOLE				
TOLERANCES UNLESS OTHERWISE SPECIFIED: 0 PLC ± - 1 PLC ± - 2 PLC ± - 3 PLC ± - 4 PLC ± - ANGLES ± -		PRODUCT SPEC -	-				
MATERIAL COPPER ASTM B-152		FINISH -	APPLICATION SPEC -	SIZE A3	CAGE CODE 00779	DRAWING NO C-1526874	RESTRICTED TO -
CUSTOMER DRAWING			WEIGHT -	SCALE 1:1	SHEET 1 OF 1	REV C	